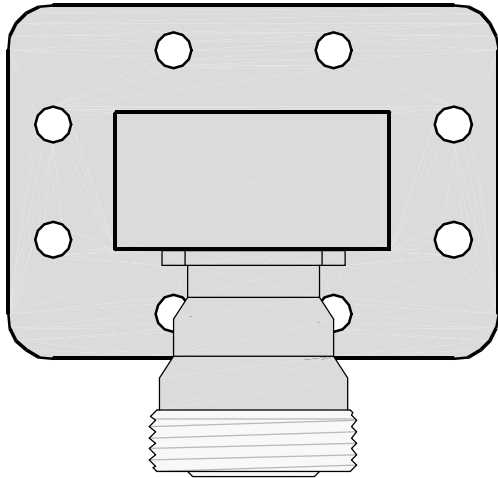


REV. A	AUTH. R.L.	DATE 1/23/03
REV. B	AUTH. R.L.	DATE 5/29/03

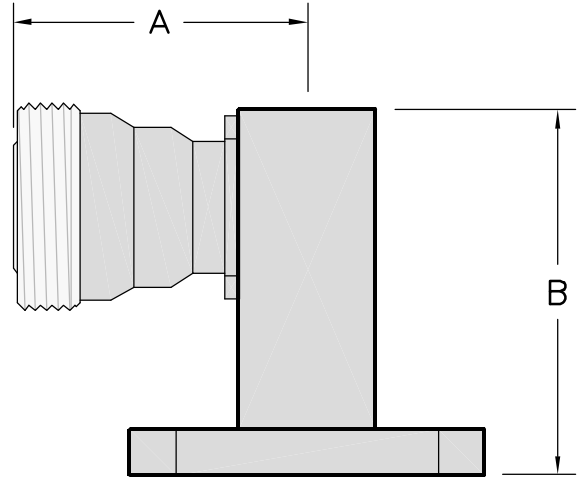
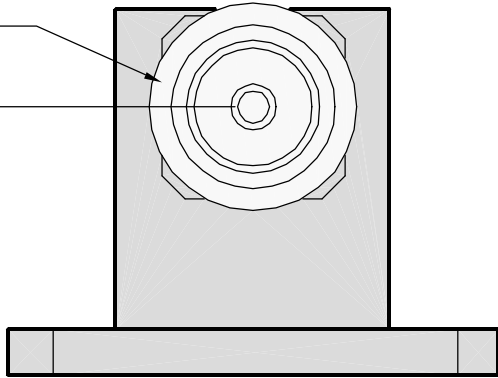
INITIAL RELEASE	APPROVED
CORRECTED DIM TABLE: REMOVED MOD. WR62 - WR112	APPROVED



FLANGE AS REQUESTED (CPRF SHOWN)

7/16 (F) CONN.

C



DIMENSIONS IN INCHES			
WG TYPE	A	B	C
WR137	1.59	2.00	1.47
WR159	1.68	2.33	1.70
WR187	1.72	2.60	1.90
WR229	1.85	2.25	1.35
WR284	1.97	2.50	1.51
WR340	2.15	3.50	2.29
WR430	2.37	4.00	2.30
WR650	2.92	5.00	2.40

MATERIAL ALUM./COPPER	TREATMENT -	DRAWN R. LYNCH	DATE 1/23/03
FINISH ATM GREY	MOD NO. XXX-259-X	CHECKED	DATE
OUTLINE, RECT. WG-COAX ADAPTOR, 7/16 CONN.		APPROVED	DATE
		CAGE CODE: OR8N4	DO NOT SCALE DWG

ADVANCED TECHNICAL MATERIALS, INC.
49 RIDER AVE., PATCHOGUE N.Y. 11772
TEL: (631) 289-0363 FAX: (631) 289-0358
<http://www.atmmicrowave.com>



PROPRIETARY NOTICE:
THE INFORMATION IN THIS DRAWING IS PROPRIETARY AND SHALL NOT BE USED OR DISCLOSED WITHOUT THE PRIOR WRITTEN CONSENT OF ATM, INC.

UNLESS OTHERWISE NOTED DIMENSIONS ARE IN INCHES	FRACTIONS ±1/64	DECIMALS ±.01 ±.005	ANGLES ±1/2°	SHEET. 1/1
SCALE NONE	DWG. NO. 3525W	REV. B		